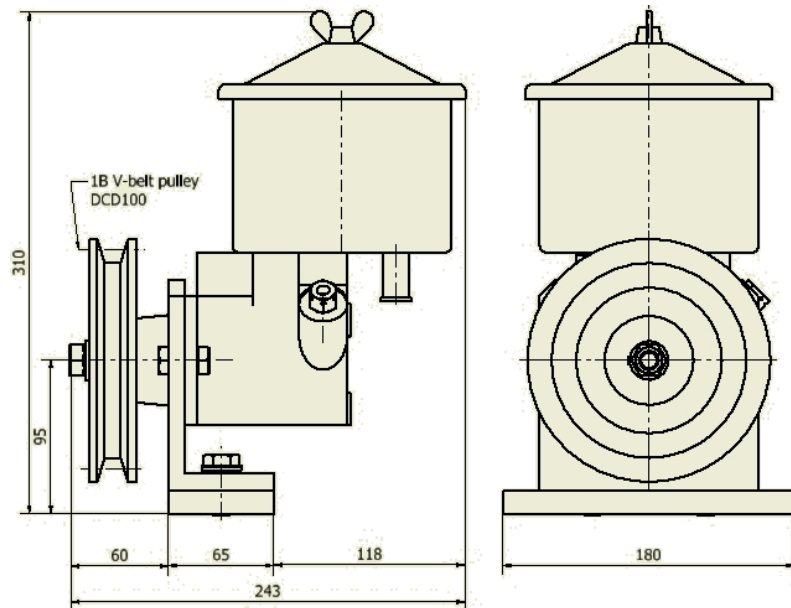


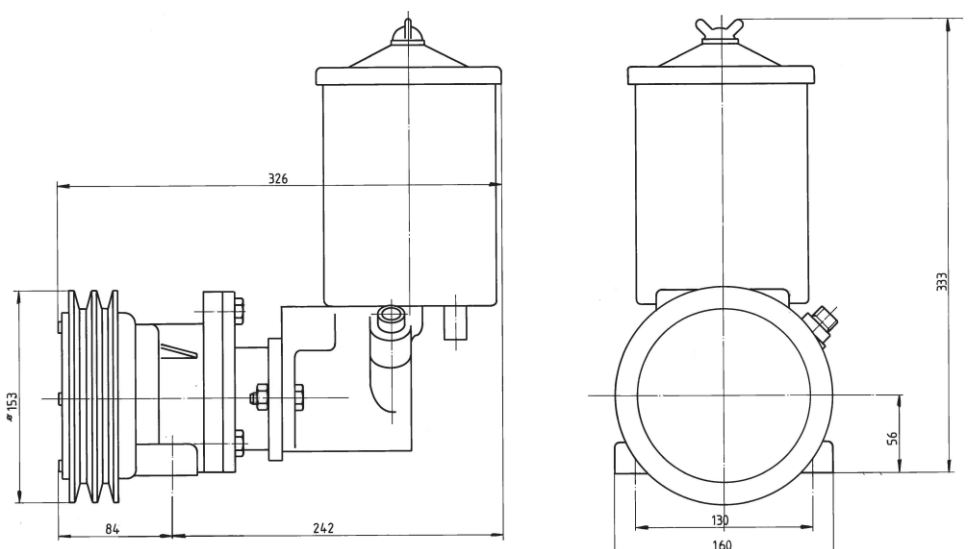
HYDRAULIKKpumpe – HYDRAULIC PUMP

Hydraulisk pumpe type RSPUM102 med dia 100 mm remskive B1. Pumpen er montert på en strammeplate og er uten kobling som standard. Dreieretning mot eller medurs. Pumpe 12 og 22 l/min kan leveres med magnetkobling.

Hydraulic pump type RSSØYKB03 comes with dia 100 mm V-belt pulley without clutch. The pump is mounted on a slide rail. Rotation clockwise or anti clockwise. The pump type 12 and 22 lit/min can be supplied with electric clutch.



Hydraulisk pumpe	RSPUM102	Hydraulic pump	RSPUM102
Driftsturtall	1200 o/min	Working speedull	1200 rpm
Max turtall ubelastet	5000 o/min	Max speed, unloaded	5000 rpm
Oljemengde	12 l/min	Oli flow	12 lit/min
Oljetrykk max	105 kp/cm²	Oil pressure max	105 kp/cm²
Effektbehov	4,5 HK	Required power	4,5 HP
Vekt	10,6 kg	Weight	10,6 kgs



HYDEMA SYD AS

P.O.Box 113
1620 Gressvik – NORWAY
Tel: +47 69360700
post@hydemasyd.com - www.hydemasyd.com